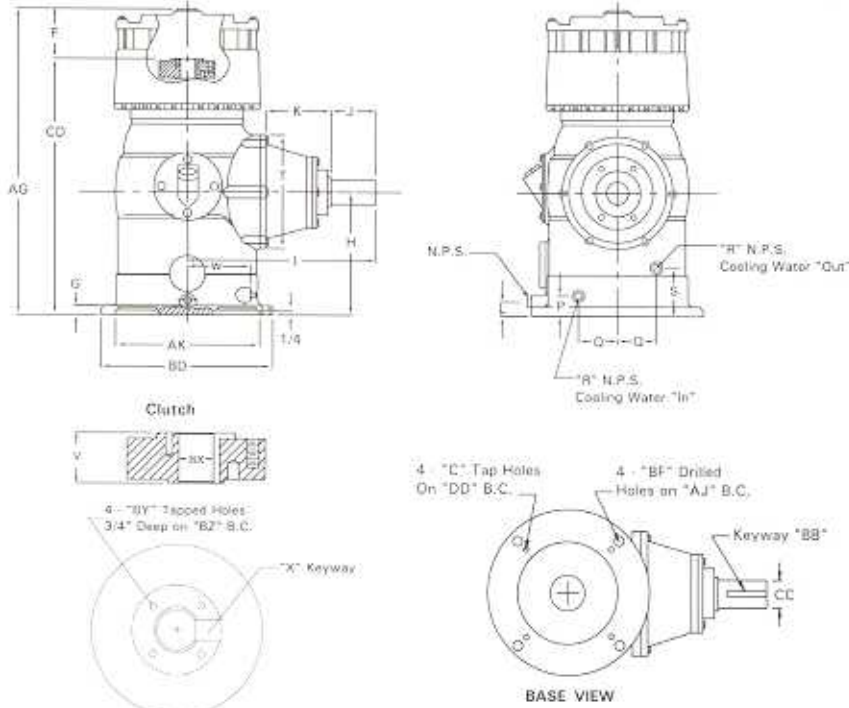


### Standard Clutch Dimensions

"BX"	"X"	"BY"	"BZ"
3/4	3/16 x 3/32	10-32	1.375
7/8	1/4 x 1/8	10-32	1.375
1	1/4 x 1/8	10-32	1.375
1-1/16	1/4 x 1/8	10-32	1.375
1-3/16	1/4 x 1/8	1/4-20	1.750
1-1/4	1/4 x 1/8	1/4-20	1.750
1-7/16	3/8 x 3/16	1/4-20	2.125
1-1/2	3/8 x 3/16	1/4-20	2.125
1-11/16	3/8 x 3/16	1/4-20	2.500
1-3/4	3/8 x 3/16	1/4-20	2.500
1-15/16	1/2 x 1/4	1/4-20	2.500
2	1/2 x 1/4	1/4-20	2.500
2-3/16	1/2 x 1/4	3/8-16	3.250
2-1/4	1/2 x 1/4	3/8-16	3.250
2-7/16	5/8 x 5/16	3/8-16	3.250
2-1/2	5/8 x 5/16	3/8-16	3.750
2-11/16	5/8 x 5/16	3/8-16	3.750
2-3/4	5/8 x 5/16	3/8-16	3.750
2-15/16	3/4 x 3/8	3/8-16	3.750



**Table 3 - Dimensions**

Contact factory for certified print when tolerances are required.

Model	M 40/M60 M80/M100	G40/G60 G80	G100/G125 M150	M200	G150 G200A	G250 G300	G350 G400	G450	F500/F590 F750	F1000	F1200 F1500
AG (Fan)	22-1/4	26-11/16	26-11/16	29-15/16	34	34	36	37	45-7/16	45-7/16	46-1/8
AJ	14-3/4	14-3/4	14-3/4	14-3/4	18-1/4	18-1/4	18-1/4	18-1/4	23	23	28-3/4
AK	13.501	13.501	13.501	13.501	13.501	13.501	13.501	13.501	13.501	13.501	22.005
BB	3/8 x 3/16	3/8 x 3/16	5/8 x 5/16	5/8 x 5/16	5/8 x 5/16	3/4 x 3/8	3/4 x 3/8	3/4 x 3/8	7/8 x 7/16	7/8 x 7/16	7/8 x 7/16
BD	16-1/2	16-1/2	16-1/2	16-1/2	20	20	20	20	24-1/2	24-1/2	30-1/2
BF	11/16	11/16	11/16	11/16	11/16	11/16	11/16	11/16	13/16	13/16	13/16
BX max.	1-1/2	1-1/2	1-1/2	1-15/16	1-15/16	1-15/16	2-3/16	2-3/16	2-15/16	2-15/16	4-1/4
BX min.	3/4	3/4	3/4	1-3/16	1-3/16	1-3/16	1-1/2	1-1/2	1-11/16	1-11/16	2-15/16
CCap	-	-	-	-	5/8-11	5/8-11	5/8-11	5/8-11	5/8-11	5/8-11	3/4-10
CC	1.874	1.874	2.249	2.437	2.437	2.937	2.937	2.937	3.749	3.749	3.749
CD	17-5/8	22-9/16	22-5/8	24-7/8	29-3/16	29-3/16	31-9/16	32-3/4	40-13/16	40-13/16	37-3/4
DD	-	-	-	-	14-3/4	14-3/4	14-3/4	14-3/4	14-3/4	14-3/4	26
F (Fan)	3-15/16	3-1/2	3-1/2	4-1/2	4-1/8	4-1/8	3-3/8	3-3/8	3-7/8	3-7/8	7-1/2
G	13/16	7/8	7/8	7/8	7/8	7/8	7/8	7/8	1-3/4	1-3/4	1-3/4
H	8-1/2	11-7/16	11-7/16	11-7/16	13-3/4	13-3/4	13-3/4	13-3/4	18-3/4	18-3/4	16
I	17	18	18	18	20-15/16	21-3/4	21-3/4	21-3/4	26	29	34
J (Sprag N.R.)	3-13/16	4-5/16	4-1/2	4-1/2	3-15/16	4-13/16	4-5/8	4-5/8	6-7/8	6-13/16	5
J (Pin type N.R.)	4-3/4	5	5-3/16	5-1/4	5-1/16	5-7/8	5-9/16	5-9/16	8-1/8	-	-
K (Sprag N.R.)	6-9/16	6-7/16	6-3/16	6-3/16	8-1/4	8-1/4	8-1/4	8-1/4	8-3/4	9-13/16	12-1/2
K (Pin type N.R.)	5-5/8	5-3/4	5-1/2	5-1/2	7-3/16	7-3/16	7-1/8	7-1/8	7-1/2	-	-
L	1-1/4	1-1/2	1-1/2	1-1/2	1-3/4	1-3/4	1-3/4	1-3/4	1-1/4	1-1/4	2-3/8
Mmps	1/2	1/2	1/2	1/2	1/2	1/2	1/2	1/2	1/2	1/2	1/2
N	5-5/8	9-1/8	9-1/8	9-1/8	12-3/8	12-3/8	12-3/8	12-3/8	20	20	13
O	5-3/4	5-3/4	5-3/4	5-3/4	5-3/4	5-3/4	5-3/4	5-3/4	7-1/2	7-1/2	10
P	1-3/4	1-7/8	1-7/8	1-7/8	2-1/2	2-1/2	2-1/2	2-1/2	1-1/4	1-1/4	2-1/4
Q	3-1/8	3-3/4	3-3/4	3-3/4	4-1/2	4-1/2	4-1/2	4-1/2	3-3/16	3-3/16	11-7/16
Rmps	1/2	1/2	1/2	1/2	1/2	1/2	1/2	1/2	1/2	1/2	1/2
S	4-1/2	4-5/8	4-5/8	4-5/8	5-7/8	5-7/8	5-7/8	5-7/8	1-1/4	1-1/4	2-1/4
T	9-1/4	10-3/4	10-3/4	10-3/4	15-5/8	15-5/8	15-5/8	15-5/8	22	22	20
V	2	2	2	2-1/2	2-1/2	2-1/2	3	3	4	4	5
W	5-1/4	6-1/2	6-1/2	6-1/2	7-3/4	7-3/4	7-3/4	7-3/4	12	12	8-11/16
Net Wt.	250	320	335	380	680	690	740	745	1500	1810	3000
Domestic Wt. (lbs)	275	345	360	408	718	728	778	783	1547	1857	3100
Exportwood (lbs)	340	420	435	480	820	830	880	885	1720	2030	3250
Export Cubic Ft.	9.5	9.5	9.5	10.3	17.5	17.5	17.5	17.5	38.9	38.9	55.0
Oil Cap Quarts	6	7	7	7	13	13	13	13	24	24	30

NOTE: Table is for standard gear drives only. For solid-shaft, opposed, or EHT bearings, contact factory for dimension print.